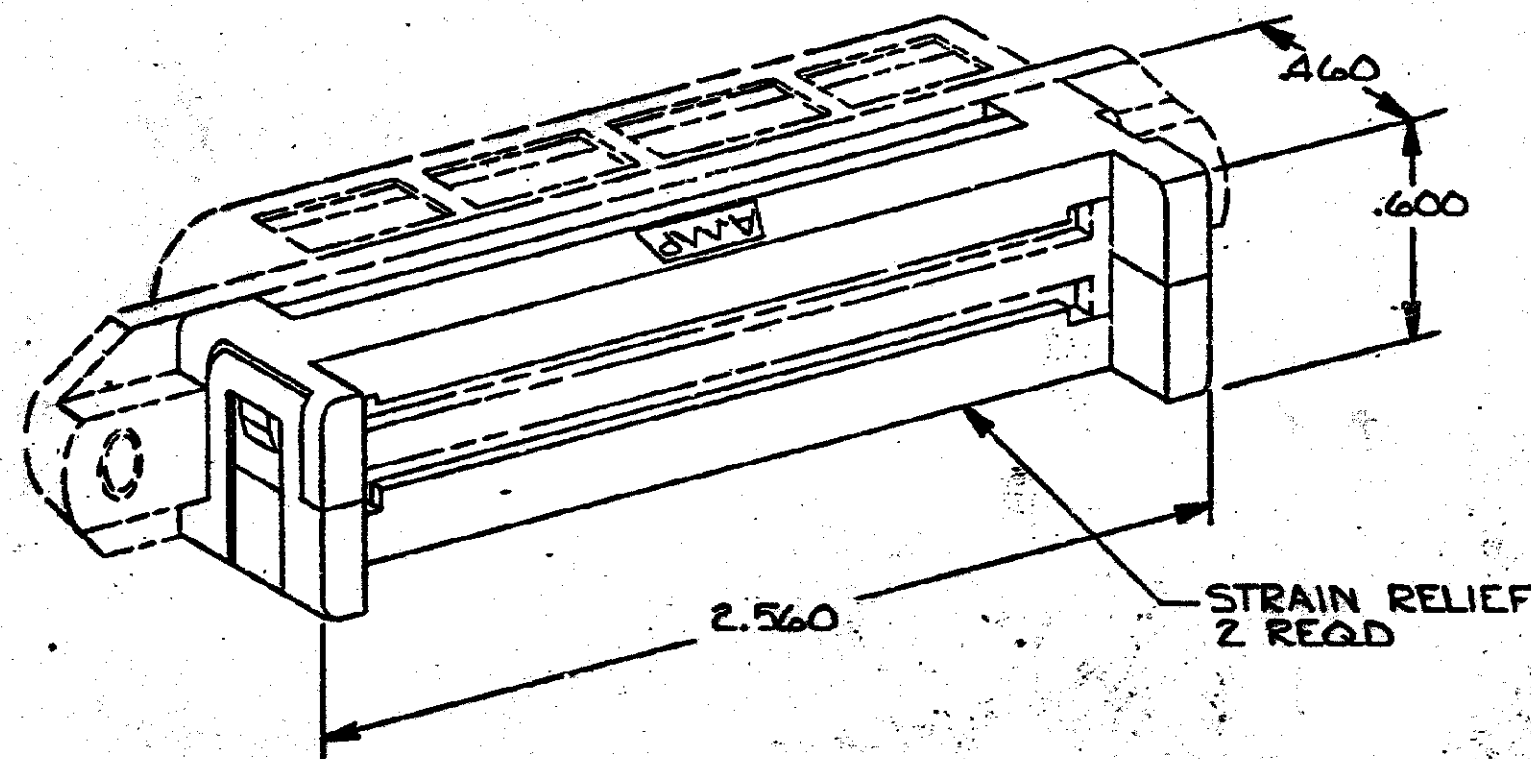


© COPYRIGHT 1974 BY AMP INCORPORATED, HARRISBURG, PA.
 ALL INTERNATIONAL RIGHTS RESERVED. AMP INCORPORATED PRODUCTS
 COVERED BY U. S. AND FOREIGN PATENTS AND/OR PATENTS PENDING.

REVISIONS					
P	F	ZONE	DESCRIPTION	DATE	APPROVED
N			SUPSD-1,085-4; ECN AA-3253	8/29/80	CW



1. STRAIN RELIEFS ARE SHOWN ASSEMBLED, HOWEVER, THEY ARE SHIPPED NOT ASSEMBLED.
2. ALL DIMENSIONS SHOWN ARE FOR REFERENCE ONLY UNLESS OTHERWISE SPECIFIED.

LOW PROFILE	GRAY	1-552027-4
	BLACK	1-552027-1
DESCRIPTION	COLOR	PART NO

UNLESS OTHERWISE SPECIFIED DIMENSIONS ARE IN INCHES. TOLERANCES ON: DECIMALS ± .001 ANGLES ± .1°	CONTRACT NO	AMP AMP INCORPORATED Harrisburg, Pa. NAME STRAIN RELIEF, 50 POSN, CHAMP
	DR <i>R.W. Sipp</i> 2-18-80	
MATERIAL THERMOPLASTIC	CHG <i>V.E. Steel</i> 4/21/80 APPD <i>B.G. Ward</i> 4/21/80 APPD <i>Donnelly</i> 4-21-80	
FINISH —	DSGN APPD OTHER APPD	
SIZE CODE IDENT NO DRAWING NO		
C 00779		552027
SCALE 2:1		SHEET 1 OF 1

552027